 **TurboTronic**
House Electronics

Turbolux



INSTRUCTION MANUAL

CYCLONE HEND VACUUM CLEANER

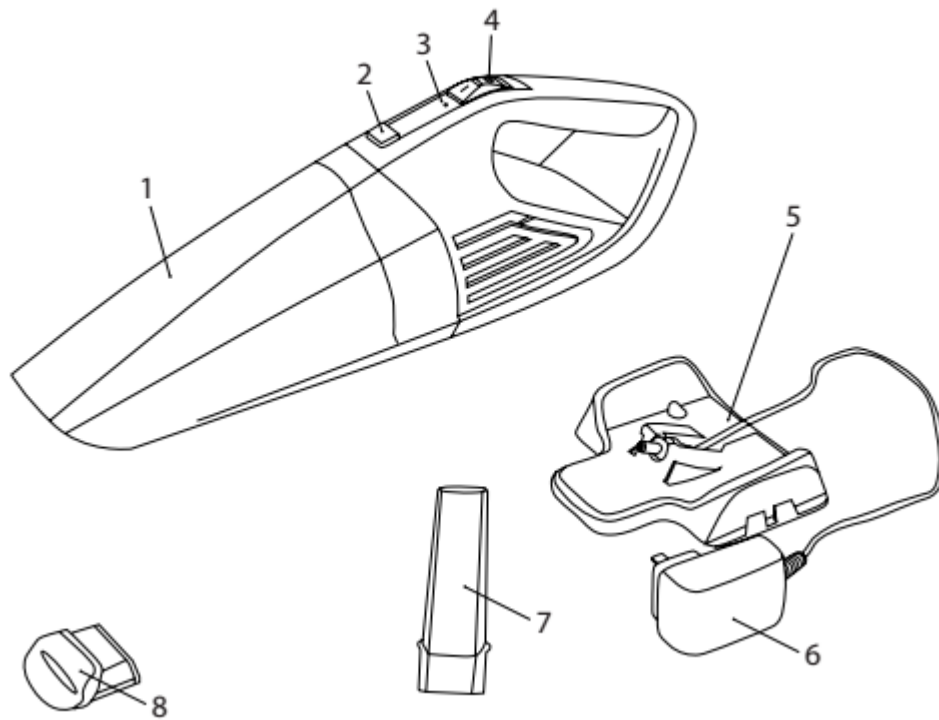
TT-LUX400

www.zline-world.com

INDEX

Parts and components	/ 04
1. Safety instructions	/ 10
2. Before use	/ 11
3. Functions	/ 11
4. Cleaning and maintenance	/ 12
5. Technical specifications	/ 12
6. Disposal of old electrical appliances	/ 12
7. Technical support service and warranty	/ 13

Parts and components



1. Dirt container
2. Release button of the dirt container
3. Indicator light
4. ON/off switch
5. Charging base with fixing system
6. Power adapter
7. Accessory for corners
8. Rubber nozzle
9. Brush

Read these instructions carefully before using the appliance. Keep this instruction manual for future reference or new users.

1. SAFETY INSTRUCTIONS

- All safety instructions should be closely followed when using the appliance.
- Make sure that the mains voltage matches the voltage stated on the rating label of the appliance
- Do not immerse the cord, plug, or any non-removable part of the appliance in water or any other liquid, nor expose the electrical connections to water. Make sure your hands are dry before handling the plug or switching on the appliance.

WARNING: if the appliance falls accidentally in water, unplug it immediately. Do not reach into the water!

- Check the power cord regularly for visible damage. If the cord is damaged, it must be replaced by the official Technical Support Service of Cecotec, in order to avoid any type of danger.

WARNING: do not use the appliance if its cord, plug, or housing is damaged, nor after it malfunctions or has been dropped or damaged in any way.

- The appliance is not intended to be operated by means of an external timer or separate remote-control system.
- Turn off and unplug the appliance from the mains supply when not in use and before cleaning it. Pull from the plug, not the cord, to disconnect it from the outlet.
- This appliance is intended for domestic use only. It is not suitable for commercial or industrial use. Do not use it outdoors.
- Do not use the appliance in confined spaces with explosive or toxic vapours.
- Keep your vacuum cleaner and its charger away from heat sources.
- This product includes rechargeable lithium batteries. Do not expose the product to high temperatures or fire; otherwise, it could explode.
- Do not open the batteries under any circumstances whatsoever. The batteries should be stored at a temperature below 40° .
- The appliance is intended to be used only with the power adapter provided with the appliance.
- Do not use the product to vacuum liquids, nor burning or hot objects. Do not vacuum sharp objects, toner dust, or plaster.
- Do not try to exceed the capacity of the container. Stop using the appliance once the dust container is full and empty it accordingly.
- Do not use the appliance if the accessories or parts are not properly fastened.
- Do not use any accessory that has not been recommended by the manufacturer, as they might cause injuries or damage.
- The appliance is not intended to be used by children under the age of 8. It can be used by children over the age of 8, as long as they are given continuous supervision.
- This appliance is not intended to be used by persons with reduced physical, sensory, or mental capabilities, or lack of experience or knowledge, unless they have been given supervision or instruction concerning the use of the appliance in a safe way by a person responsible for their safety, and understand the hazards involved.
- Supervise young children to make sure that they do not play with the appliance. Close supervision is necessary when the appliance is being used by or near children.
- Keep the appliance and its cord out of reach of children under the age of 8.
- Do not leave the appliance unattended while in use. Turn it off when you leave the room.
- Do not try to repair the appliance by yourself. Contact the official Technical Support Service of Cecotec for advice.
- Cleaning and maintenance must be carried out according to this instruction manual to make sure the appliance functions properly. Turn off and unplug the appliance before cleaning it.
- Cleaning and maintenance tasks must not be carried out by children.
- Store the appliance and its instruction manual in a safe and dry place when not in use.
- No liability is accepted for any eventual damage or personal injuries derived from misuse or non-compliance with this instruction manual.

2. BEFORE USE

1. Remove all packaging elements.
2. Inspect all parts of the appliance for visual damage. Unwind the power cord completely and inspect it for damage. Do not use the appliance if it or its cord have been damaged or are not working properly. In case of damage, contact the official Technical Support Service of Cecotec for advise, repairs, or returns.
3. Make sure you have read and understood all instructions and warnings in this instruction manual. Pay particular attention to the safety instructions on previous pages.
4. Fix the charging base to a wall or put it on a flat surface. Then, put the appliance on the charging base, after making sure it is turned off, and plug the power adapter to the mains supply. The indicator light will blink once the appliance starts charging.
5. In order to make sure the appliance is always ready for use, it should be left on the charging base when not in use.

3. OPERATION

1. Insert one of the accessories of the appliance if necessary:
 - Use the accessory for corners to clean tables, cars, corners, etc.
 - Use the rubber nozzle to vacuum liquids.
 - Use the brush to clean textiles, such as sofas, carpets...
2. Turn the power switch on to start the appliance.
3. Once you finish, turn the power switch off and place the appliance on its charging base.

Indicator light

Red blinking: the appliance is charging

Red: the appliance is fully charged

Green: the appliance is on

Green blinking: the appliance is running out of battery

4. CLEANING AND MAINTENANCE

1. Turn off the appliance.
2. Press the release button of the dirt container and remove it from the main body.
3. Pull the filter out of the container and empty its contents. You can also gently shake and tap the filters over the bin to remove the dust or clean them under running water in case they are heavily soiled. Make sure all parts are completely dry before installing them in the appliance. Note: clean the outside of the appliance with a wet cloth. Do not use abrasive cleaning agents, as they could damage the product.

5. TECHNICAL SPECIFICATIONS

- Product reference: 05067
- Battery: 11,1 V DC / 2200 mAh
- Adaptor input voltage: 100-240 V ~50/60Hz
- Adaptor output voltage: 9.6 V DC / 500 mA
- Autonomy: 24 minutes
- Charging time: 4.5 hours
- Made in P.R.C.

6. DISPOSAL OF OLD ELECTRICAL APPLIANCES



The European directive 2012/19/EU on Waste Electrical and Electronic Equipment (WEEE), specifies that old household electrical appliances must not be disposed of with the normal unsorted municipal waste. Old appliances must be collected separately, in order to optimize the recovery and recycling of the materials they contain, and reduce the impact on human health and the environment.

The crossed out “wheeled bin” symbol on the product reminds you of your obligation to dispose of the appliance correctly. If the product has a built-in battery or uses batteries, they should be removed from the appliance and disposed of appropriately.

Consumers must contact their local authorities or retailer for information concerning the correct

disposal of old appliances and/or their batteries.

7. TECHNICAL SUPPORT SERVICE AND WARRANTY

This product is under warranty for 2 years from the date of purchase, as long as the proof of purchase is submitted, the product is in perfect physical condition, and it has been given proper use, as explained in this instruction manual.

The warranty will not cover the following situations:

- The product has been used for purposes other than those intended for it, misused, beaten, exposed to moisture, immersed in liquid or corrosive substances, as well as any other fault attributable to the customer.